

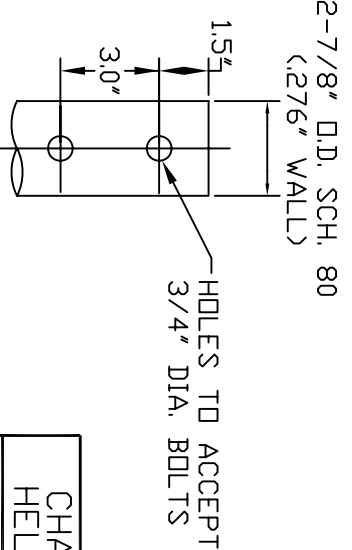
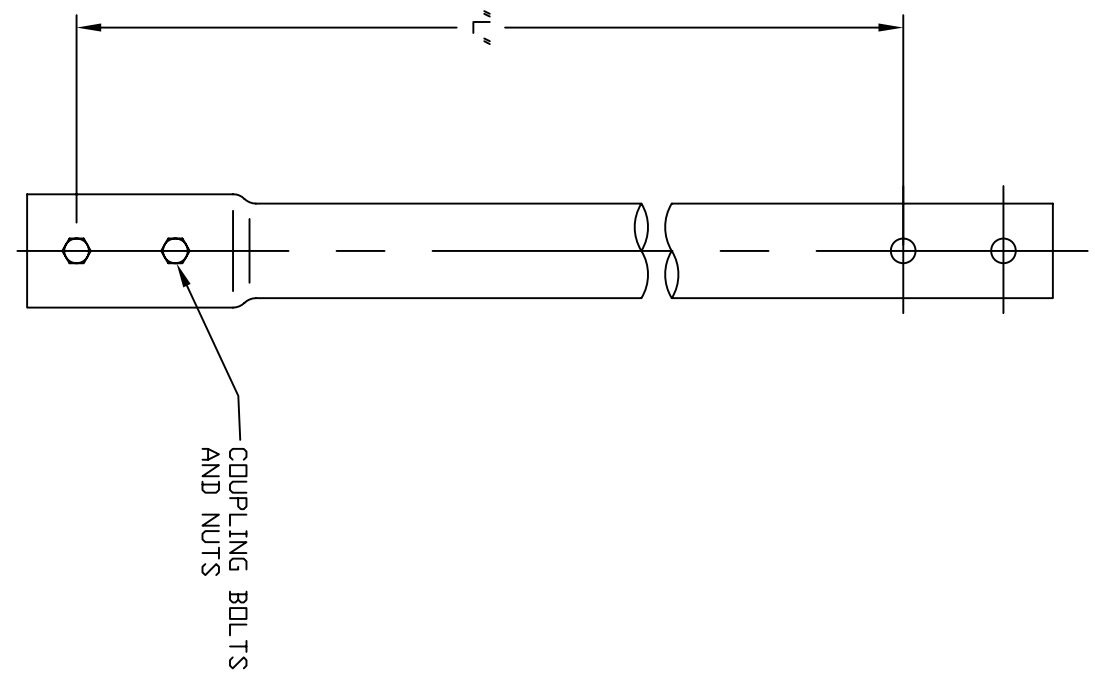
RS2875, 276 EXTENSIONS

TORQUE STRENGTH RATING-8,000 FT-LB
 ULTIMATE CAPACITY*(TENSION/COMPRESSION)-64KIP
 *BASED ON A TORQUE FACTOR (Kt)=8
 ULTIMATE TENSION AND COMPRESSION STRENGTH-90 KIP

-NOTES-

- HOT DIP GALVANIZED PER ASTM 153-(LATEST REVISION)
- EXTENSION SECTION LENGTHS ARE NOMINAL.
- PIPE SHAFT MATERIAL 2.5" NOMINAL, SCHEDULE 80 WALL THICKNESS PER ASTM A500 GRADE B.
- COUPLING BOLTS: 3/4" DIAMETER X 4.25" LONG HEX HEAD PER SAE J429 GRADE 5.
- REFER TO SA2788001 FOR LEAD SECTION DRAWINGS
- MANUFACTURER TO HAVE IN EFFECT INDUSTRY RECOGNIZED WRITTEN QUALITY CONTROL FOR ALL MATERIALS AND MANUFACTURING PROCESSES.
- EXTENSIONS ARE FABRICATED WITH A HOT FORGED EXPANDED INTEGRAL COUPLING CONNECTION ON ONE END.

CATALOG NUMBER	DESCRIPTION	"L"
C2788500	RS2875, 276 PIPE SHAFT EXT. 5'	55.5'
C2788700	RS2875, 276 PIPE SHAFT EXT. 7'	79.5'
C27881000	RS2875, 276 PIPE SHAFT EXT. 10'	115.5'
C2788300	RS2875, 276 PIPE SHAFT EXT. 3.5'	37.5'



2-7/8" O.D. SCH. 80
 (.276" WALL)

CONFIDENTIAL: THIS DRAWING AND ITS CONTENTS ARE CONFIDENTIAL AND THE EXCLUSIVE PROPERTY OF HUBBELL POWER SYSTEMS, INC. NO REPRODUCTION OR DISTRIBUTION OR COPIES MAY BE MADE WITHOUT THE PRIOR WRITTEN CONSENT OF HUBBELL POWER SYSTEMS, INC. HUBBELL POWER SYSTEMS UNPUBLISHED WORK UNDER THE COPYRIGHT LAWS.	
CHANGE HELICAL	HUBBELL POWER SYSTEMS EXTENSION RS2875,276
SIZE A	DWG NO. SA2788500
DO NOT SCALE THIS DRAWING	DWN BY LMM DATE 05/12/08 SHEET 10F1